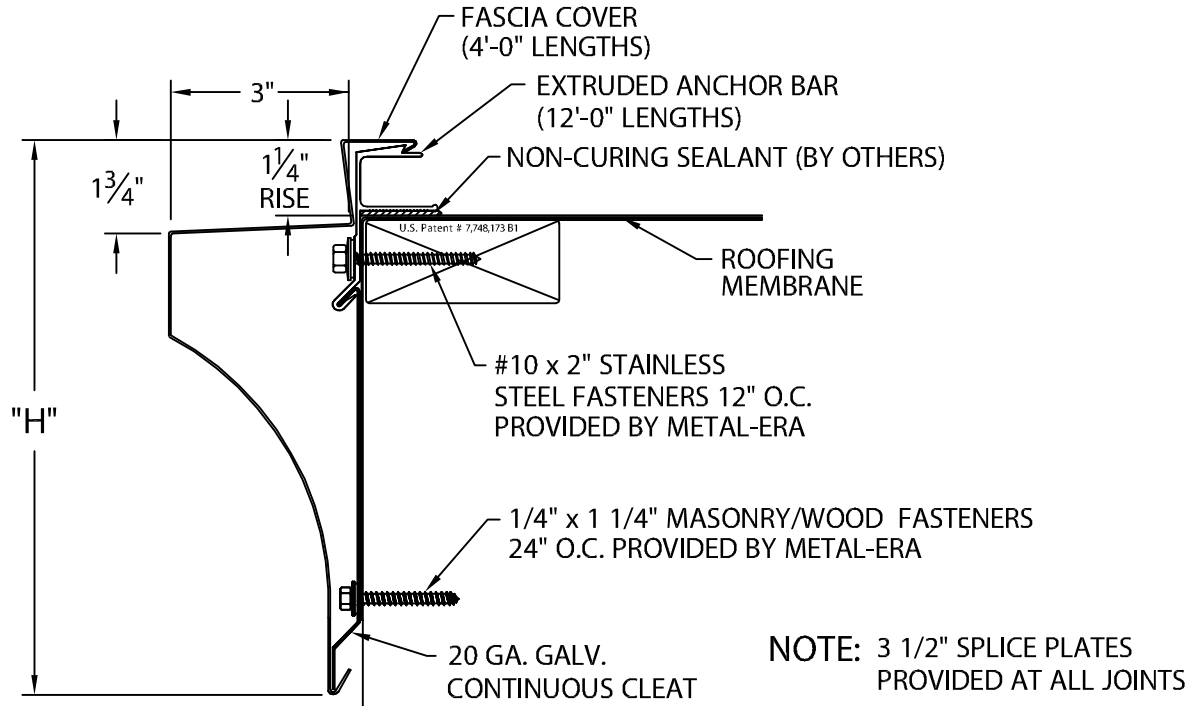


DESIGNER CORNICE FASCIA

FULLY ADHERED OR MECHANICALLY ATTACHED SINGLE-PLY VERSION



Fascia is to be installed per Specifications and Metal Era's Installation Instructions Dwg. # 11110-5229.

DESIGNER CORNICE FASCIA DIMENSIONS

PRODUCT ID. NO.	H DIM
<input type="checkbox"/> AEF-CS85	8 1/2" (216 mm)
<input type="checkbox"/> AEF-CS100	10" (251 mm)
<input type="checkbox"/> AEF-CS115	11 1/2" (292 mm)
<input type="checkbox"/> AEF-CS130	13" (330 mm)

Fabrication will proceed only after receipt of signed print approval.

Print Approval:

Architect and/or contractor shall verify all dimensions, sizes and quantities. All products to be installed in strict accordance with Metal-Era's printed instructions.

Approved by: _____

Date: _____

MATERIAL:

___ .050" (1.27 mm) Aluminum

___ .063" (1.60 mm) Aluminum

___ OTHER _____

Color: _____

Finish: _____

QUANTITIES:

_____ Lineal Feet *12'-0" (3.65 m) Lengths

*Cover Supplied in 4'-0" (1.22 m) Lengths

_____ Outside Miters @ 90°

_____ Inside Miters @ 90°

_____ Right Endcaps

_____ Left Endcaps

For Non-90° Miters Please Use Print Approval #11010-1103

PROJECT:

ARCHITECT:

ROOFING CONTRACTOR:

REPRESENTATIVE/DISTRIBUTOR:

Corporate Offices, Manufacturing
1600 Airport Road; Waukesha, WI 53188
Phone: 800-558-2162
Fax: 800-373-9156
www.metalera.com



DATE: 08/09/16

DRN BY: JJC

CKD BY: SAK

SHT.# ____ OF ____

DWG# 11010-1905

G